

D7 DZUS® Arrow Quarter-Turn Fasteners

Assembly

Features

- Surface install
- Panel mounted assembly

Product Performance

- Flammability rating: UL94-HB
- ASTM E-162 flame spread index: 130

Material

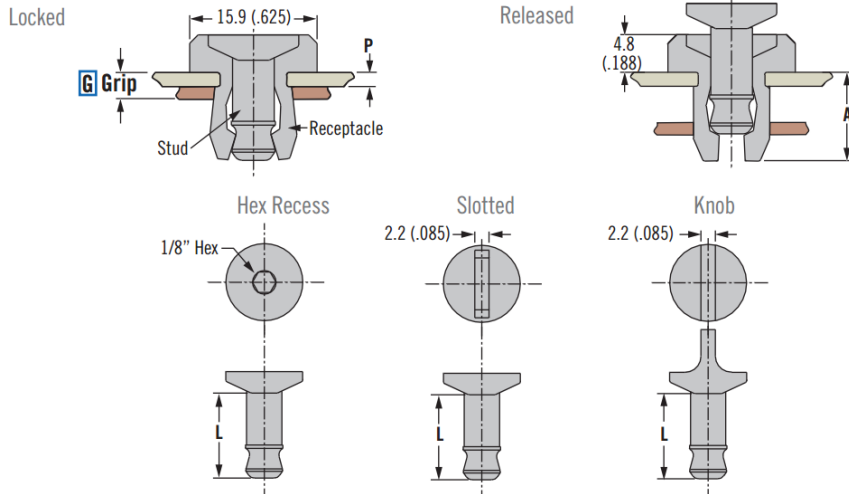
- Acetal, black

Notes

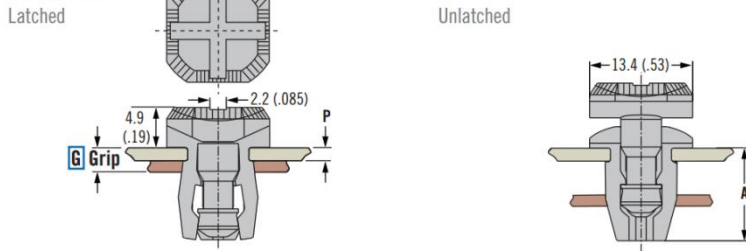
- 200 Series: Order one receptacle and stud from the same size separately
- 2001 Series: Complete assembly supplied with runner attached as shown



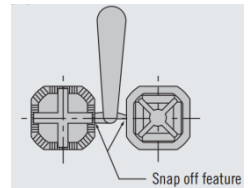
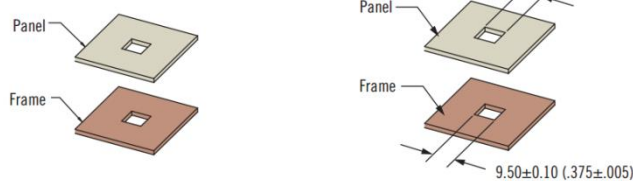
200 Series (order stud and receptacle separately)



2001 Series



Installation



Installation Notes

200 series:

1. Press receptacle into outer panel
2. Press stud into receptacle
3. Press and turn stud to latch
4. Turn stud 90 degree to unlatch

2001 series:

1. Separate Stud and receptacle from runner
2. Press receptacle into outer panel
3. Press stud into receptacle
4. Press and turn stud to latch
5. Turn stud 90 degree to unlatch

Series	A	Receptacle			Stud				
		Panel Thickness		Part Number	Grip Range		Part Number		
		Min.	Max.		Min.	Max.	Hex recess	Slotted recess	Knob
200	12.3 (.48)	0.50 (.020)	1.78 (.070)	D7-200-802-010	2.03 (.080)	5.08 (.200)	D7-200-701-010	D7-200-711-010	D7-200-721-010
	13.7 (.54)	1.80 (.071)	3.10 (.125)	D7-201-802-010	3.43 (.135)	6.35 (.250)	D7-201-701-010	D7-201-711-010	D7-201-721-010
2001	12.0 (.47)	0.05 (.020)	1.7 (.067)	~	2.5 (.098)	6.7 (.263)	Complete Assembly D7-2001-010		